

| optima | optima g | optima c | optima plus |





| optima | optima g |

The system is exclusive for its choice of steel pipe-style legs of standard or adjustable height, allowing fast and easy extension of a table up to 800 mm from 650 mm in accordance with a height of a certain employee. Metal frame installed underneath the desk provides the table with extra durability. The system offers either panel or perforated metal covers for the legs.

| optima | optima g |



| optima c |

Ergonomic furniture system for those requiring functional working area. Special C-form table legs featuring plastic insertions deliver professional electric wiring solution to keep your working area perfect.

| optima c |



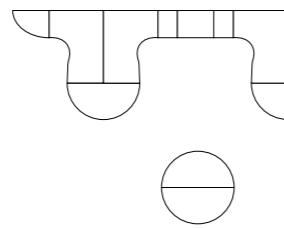
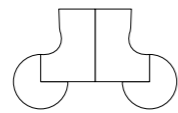
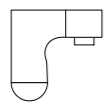
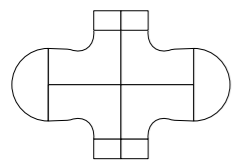
| optima plus |

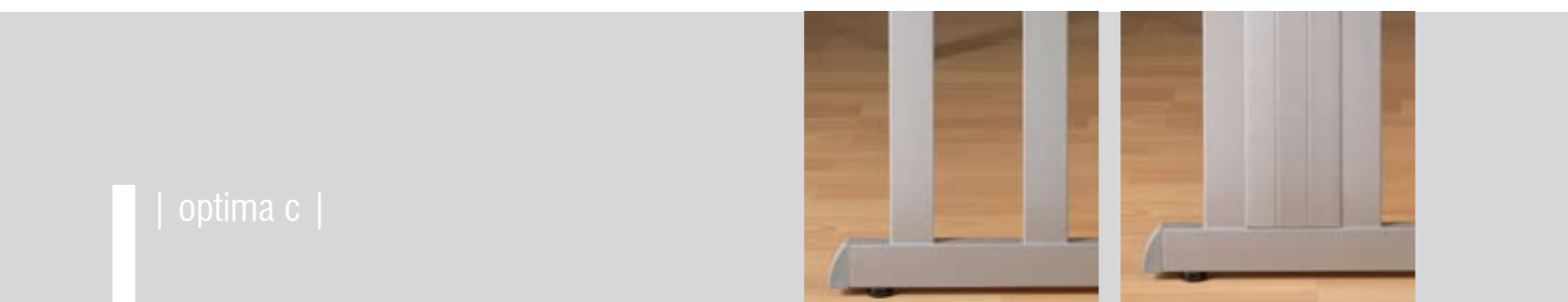
Classic office furniture system for those preferring maturity and durability. Attractive price and quality match. Conservative design, thoughtful details give a space for making functional and complete working sites. Panel table legs feature up to 10 mm screw-out fixtures, designed to balance uneven floor.

| optima plus |

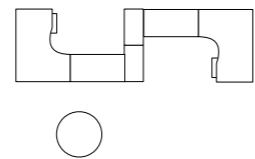
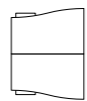
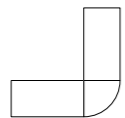
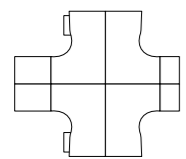


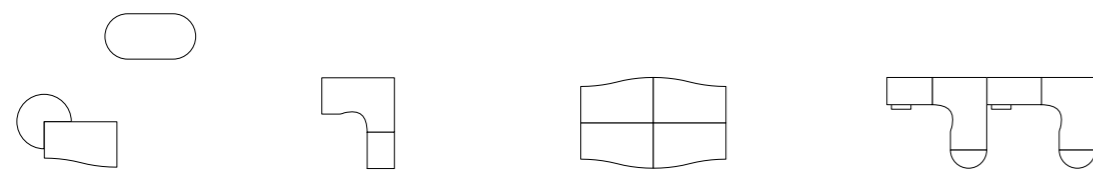
| optima | optima g |





| optima c |





An aesthetic and ergonomic design hides cables used at the work place. An optimal solution is created – from the porthole, surface cables are routed to the horizontal cable tray and integrated cable riser to remain unseen and safe. The other option is to use a vertical cable duct.

Comfortable. Functional. Aesthetic.



1

2

3

4

5

6

7

8

9

7I VU aVUVdRjd



**PSP532**  
415x500x421 mm  
| 1 | 4 |



**PSP525**  
415x500x421 mm  
| 1 | 4 | 7 |

>`SjV aVUVdRjd



**PSP532 + PZZ001 + PZZ002**  
415x500x487 mm  
| 1 | 4 |



**PSP525 + PZZ001 + PZZ002**  
415x500x487 mm  
| 1 | 4 | 7 |



**PSR541**  
415x500x610 mm  
| 1 | 4 |



**PSR535**  
415x500x610 mm  
| 1 | 4 | 7 |



**PUR642**  
430x600x600 mm  
| 2 | 4 | 5 | 8 |



**PUR635**  
430x600x600 mm  
| 2 | 4 | 5 | 6\* | 8 |

5Vd\ YZY aVUVdRjd



**PUS626**  
430x600x722 mm  
| 2 | 3 | 6 |



**PUS642**  
430x600x722 mm  
| 2 | 4 | 8 |



**PUS635**  
430x600x722 mm  
| 2 | 4 | 5 | 6\* |



**PUS637**  
430x600x722 mm  
| 2 | 4 | 5 | 7 |



**PUS639**  
300x600x722 mm  
| 2 | 4 | 5 | 6\* | 8 |



**PSS637**  
402x600x722 mm  
| 1 | 4 | 7 |

Desk high pedestals



**PUS742**  
430x700x722 mm  
| 2 | 4 | 8 |



**PUS735**  
430x700x722 mm  
| 2 | 4 | 6\* | 8 |



**PUS835**  
430x800x722 mm  
| 2 | 4 | 5 | 6\* | 8 |



**PUS837**  
430x600x722 mm  
| 2 | 4 | 5 | 7 | 8 |



**PEX627**  
500x600x720 mm  
| 1 | 4 | 7 | 8 |



**PEX637**  
500x600x1020 mm  
| 1 | 4 | 7 | 8 |



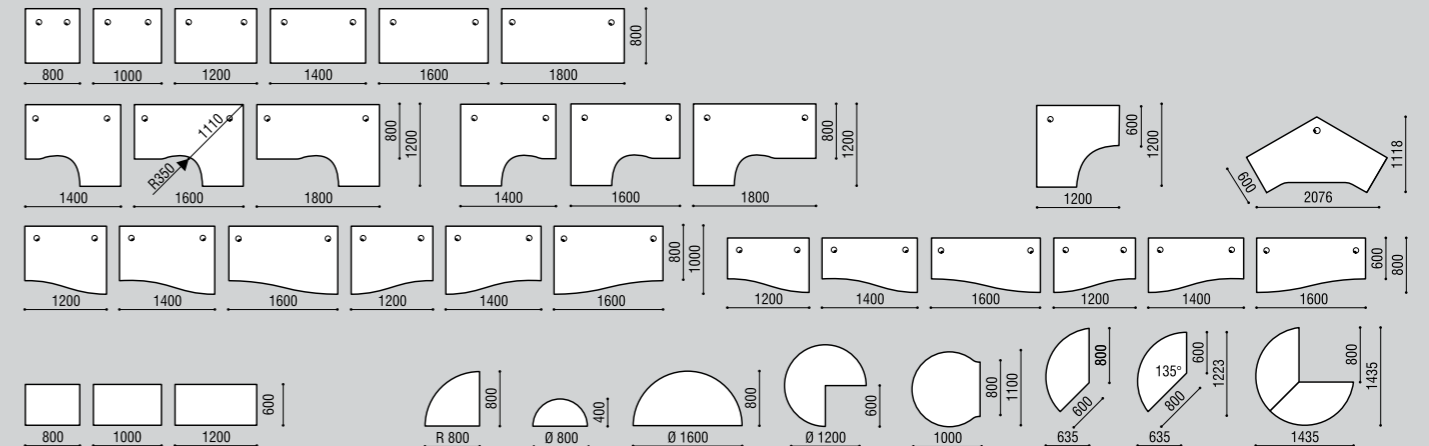
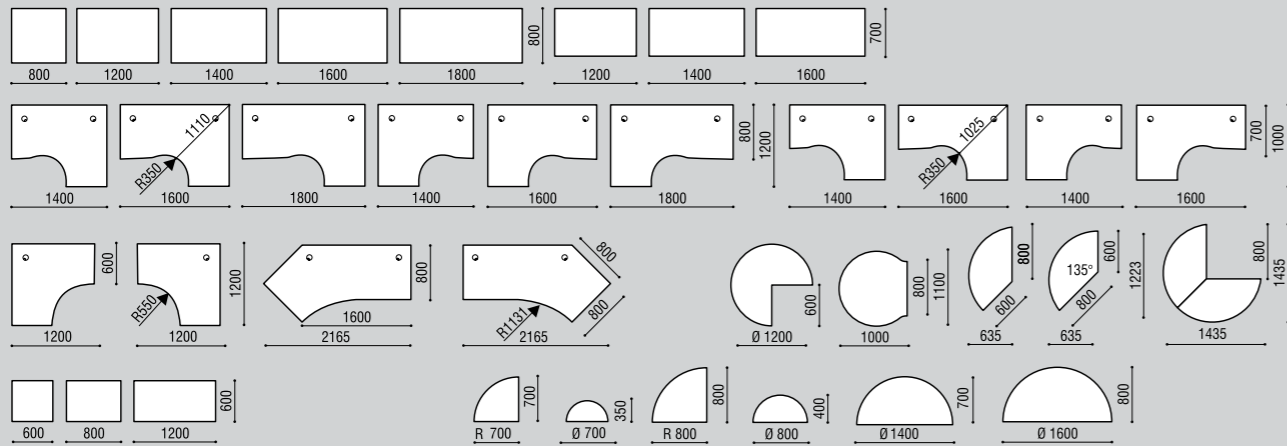
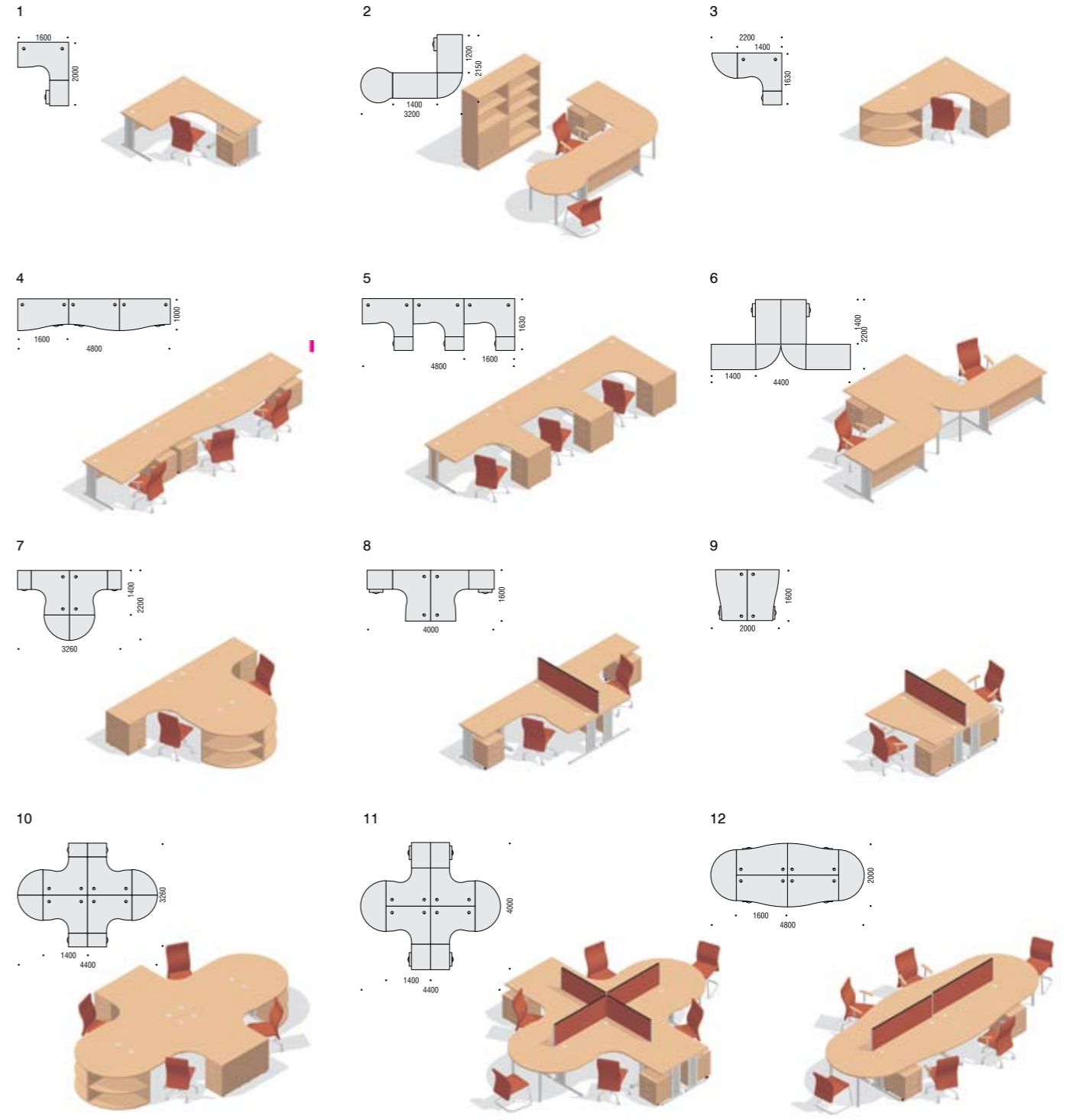
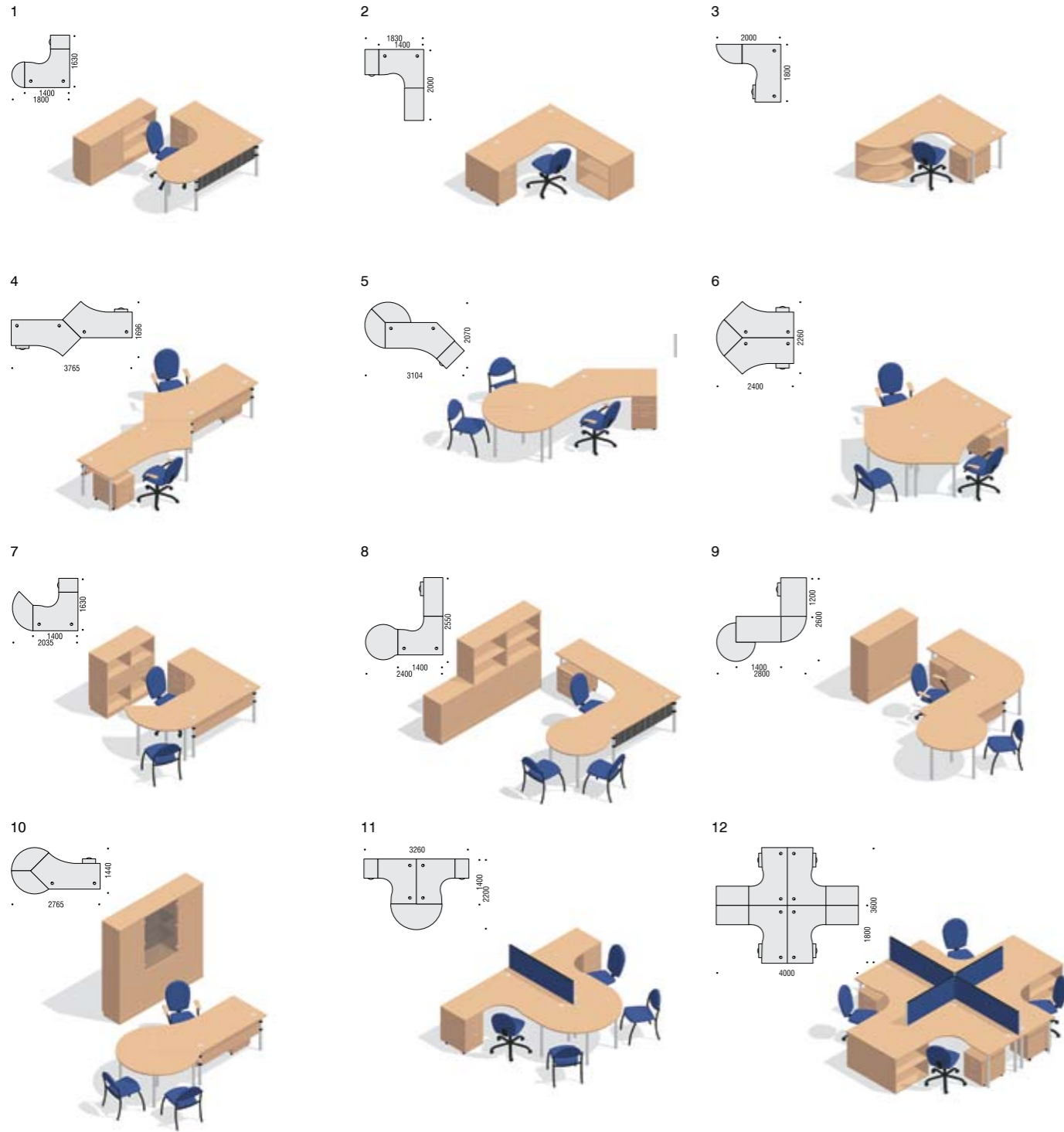
**PEX647**  
500x600x1320 mm  
| 1 | 4 | 7 | 8 |

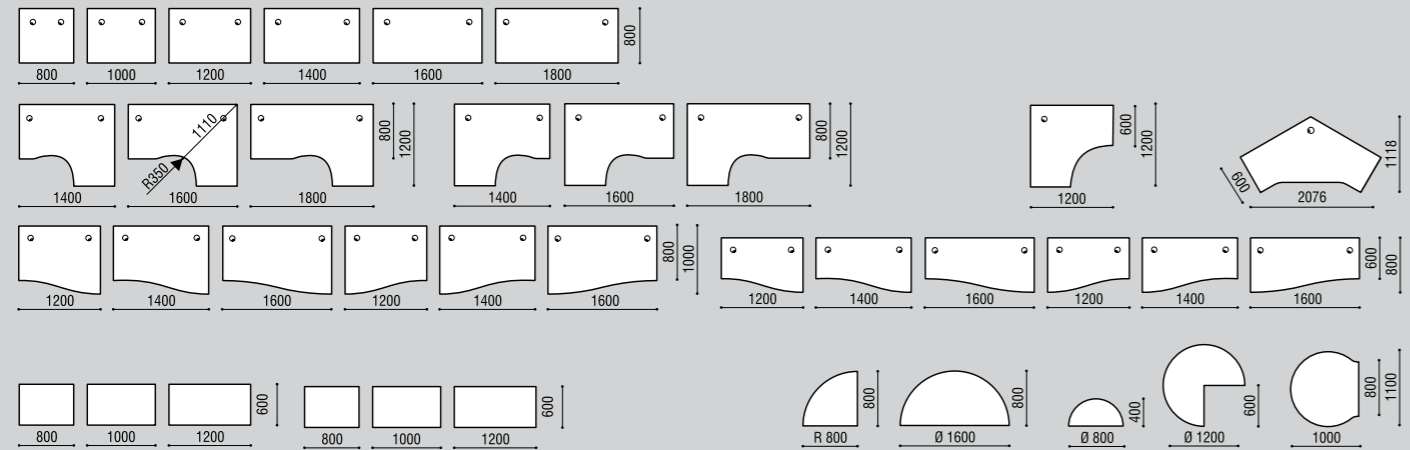
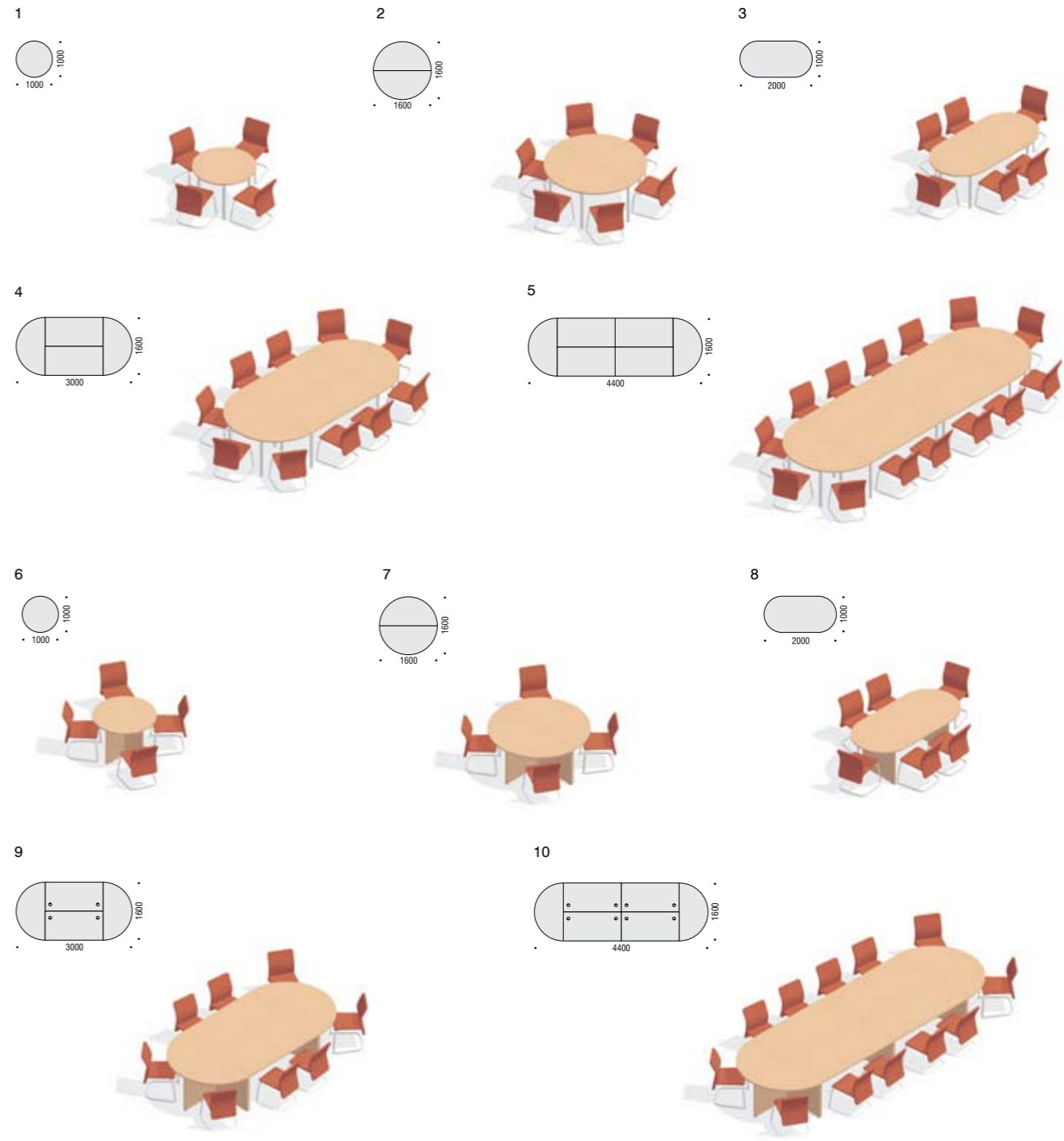
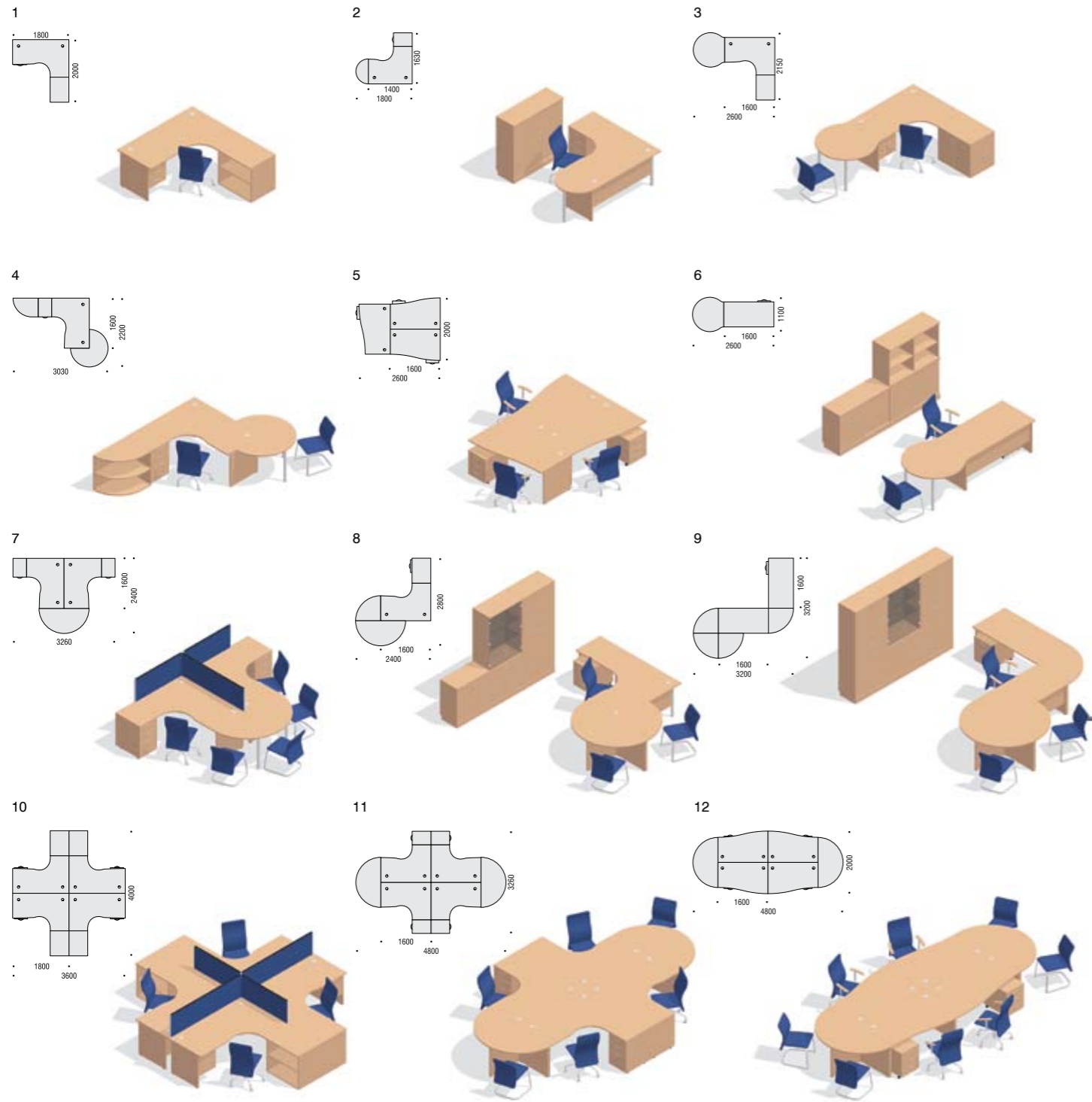
Filing cabinets

[GB

- 1| electric wiring hole cover
- 2-3| plastic wire holders
- 4| horizontal metallic wiring channel fixed under the desk
- 4-5| leg coverage designed to hide the wiring
- 6| plastic wiring channel fixed under the table
- 7| horizontal wiring channel fixed to the connection unit
- 8| plastic leg insertion designed for wiring
- 9| vertical drag-out electric panel

- 1| Foil wrapped drawers
- 2| Metal-sided drawers
- 3| First drawer lock
- 4| Central locking
- 5| First pencil drawer
- 6| File drawer
- 6\*| Suitable for foolscap files
- 7| Full extension file drawer suitable for A4 or foolscap filing
- 8| Anti-tilt mechanism

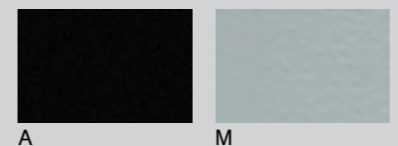




**MELAMINE**



**METAL PART**



The company uses raw materials of E1 standard; this means that furniture is made from environment-friendly materials only.



Hc]a ]ghcbhY\_]ŋ hCm  
a mbh4 hc]a ]ghcbhY\_]UHŹ  
k k k "hc]a ]ghcbhY\_]UHŹ"



ISO 9001:2000



ISO 14001:2004

